

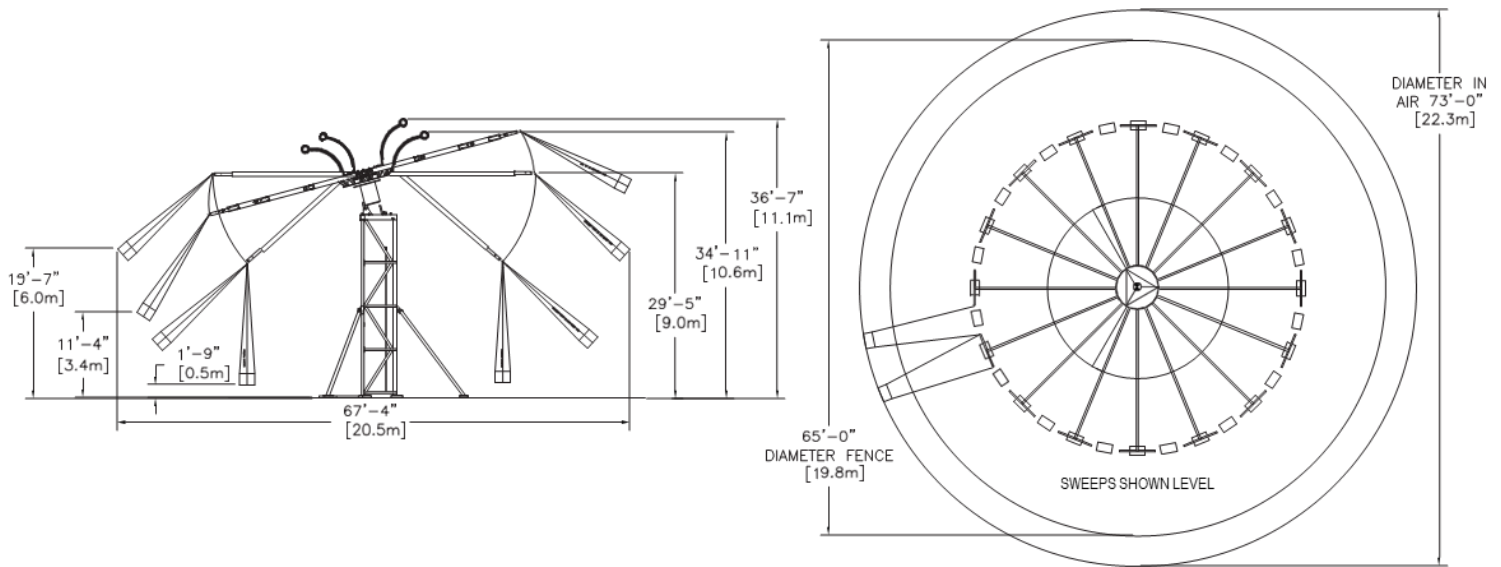


Yo-Yo

Like the fanciful flight of a whirlwind, the Yo-Yo spins riders through the sky, creating a delightful feeling of freedom. This fun ride dangles riders in 32 self-loading swings for high-flying action. Its high visibility entices both kids and adults.



316.945.6555 | sales@chancerides.com | chancerides.com



FEATURES

STANDARD FEATURES

- High visibility draws riders of all ages
- Simultaneous loading of 32 passengers for increased hourly capacity
- Basic LED lighting package

OPTIONAL FEATURES

- Catwalk
- Custom theming

SPECIFICATIONS

SEATING

Number of seats.....	32
Maximum number of passengers per seat.....	1
Average passenger weight per seat.....	170 lbs.
Maximum total number of passengers.....	32
Maximum total passenger weight.....	5,440 lbs.
Minimum passenger height.....	42 in.
Loading.....	all passengers simultaneously
Maximum unbalance.....	8 adults (1,360 lbs.)

PERFORMANCE

Direction of travel (turret).....	counterclockwise
Ride speed.....	10 rpm
Ride duration.....	2.5 min.
Maximum tilt angle.....	10° from ground
Maximum wind speed (operating).....	20 mph
Maximum wind speed (static).....	80 mph

MAXIMUM RIDE WEIGHT

Empty.....	25,000 lbs.
------------	-------------

POWER REQUIREMENTS*

Total.....	65 kW
Drive.....	30 kW
Lights.....	35 kW
Min./Max. voltage.....	208/230 volt, 3 phase, 60 Hz

DRIVE*

Type.....	electro-hydraulic
Motor type.....	220/440 volt, 3 phase, 60 Hz
Number of motors.....	1
Horsepower rating.....	40

LIGHTING*

Type.....	LED
-----------	-----

* All rides can be electrically wired to operate on other specified voltage.

Specifications are effective as of publication date. Because we strive to improve every Chance Rides product, these specifications are subject to change without notice. Dimensions are approximate. For actual dimensions and installation specifications, please refer to Chance Rides foundation drawings. This ride conforms to all applicable ASTM amusement ride standards in effect on the date of manufacture.



Joy in Motion™