



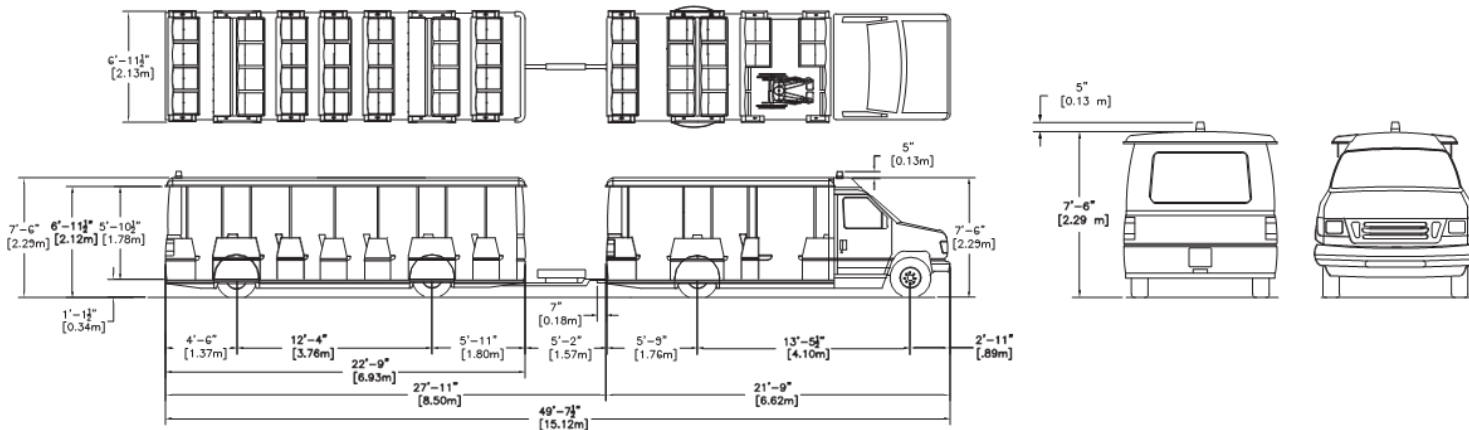
Tramstar™ HD

The Tramstar HD provides increased pulling capacity and maintains a smooth ride with its heavy-duty air ride suspension. While the open-air design offers a remarkable view, passengers ride in comfortable molded, non-slip, fiberglass seats with plenty of legroom.



316.945.6555 | sales@chancerides.com | chancerides.com

Tramstar™ HD



FEATURES

STANDARD FEATURES

- More pulling power with HD E-450 Ford Chassis
- Low 13-inch floor height promotes safety and speeds loading/unloading
- 30-foot turning radius for one power unit plus three trailing units
- Heavy-duty air ride suspension for smooth operation and air-over-hydraulic brakes for safety and reliability
- Easy to use hitch system which allows for quick connecting and disconnecting of the trailing units

- Power unit serviceable at local Ford dealerships
- 5-year Altoona Bus tested
- Roomy storage bays, overhead lighting, non-skid RCA rubber flooring and PA system
- Open-air design delivers incredible view
- Comfortable, molded fiberglass seats and plenty of leg room
- 1-year/12,000-mile full U.S. warranty
- 3-year/36,000-mile subsystem warranty

OPTIONAL FEATURES

- Bi-fuel propane or CNG engine
- ADA compliant lightweight, retractable wheel chair ramp and two forward-facing wheel chair positions
- Rain curtains
- Roadside closure bars
- Advertising panels
- Luggage racks
- Video monitors
- Custom theming

SPECIFICATIONS

PRINCIPLE DIMENSIONS

Passenger capacity*	20 adults
Handicap capacity	2 wheelchairs, 12 seated
Wheel base	161.5 in. (4.10 m)
Overall length	21 ft. 9 in. (6.63 m)
Overhang, front axle to front bumper	34.9 in. (88.65 m)
Overhang, rear axle to rear bumper	69.5 in. (1.77 m)
Width, overall	84 in. (2.13 m)
Height, overall with beacon	95 in. (2.41 m)
Height, step and floor	13.5 in. (34.29 cm)
Height, inside at center line	76 in. (1.93 m)
Min. turning radius, outside front tire	28 ft. (8.53 m)
Min. turning radius, outside front body corner**	29 ft. (8.84 m)
Curb weight (approx.)	7,200 lbs. (3,266 kg)
G.V.W.R. (max at 20 mph)	14,500 lbs. (6,577 kg)
Approach angle	32°
Ramp breakover angle	10°
Departure angle	10°

POWER UNIT

20 adults
2 wheelchairs, 12 seated
161.5 in. (4.10 m)
21 ft. 9 in. (6.63 m)
34.9 in. (88.65 m)
69.5 in. (1.77 m)
84 in. (2.13 m)
95 in. (2.41 m)
13.5 in. (34.29 cm)
76 in. (1.93 m)
28 ft. (8.53 m)
29 ft. (8.84 m)
7,200 lbs. (3,266 kg)
14,500 lbs. (6,577 kg)
32°
10°
10°

TRAILING UNIT

28 adults
NA
148 in. (3.76 m)
22 ft. 9 in. (6.93 m)
70.5 in. (1.79 m)
54.5 in. (1.38 m)
84 in. (2.13 m)
95 in. (2.41 m)
13 in. (33.02 cm)
76 in. (1.93 m)
28 ft. (8.53 m)
29 ft. (8.84 m)
4,500 lbs. (2,041 kg)
8,700 lbs. (3,946 kg)
10°
10°
10°

POWER UNIT

Tires.....	LT 225/75 R16, load range E
Rims.....	Steel, 8-hole, 16" x 6"
Axle, type.....	4 x 2 rear drive, front steer
Axle, front.....	Ford E-450 twin I-beam, 5,000 lbs. (2,268 kg)
Axle, rear.....	Dana 10.5" HD, full-floating, 9,450 lbs. (4,286 kg)
Brakes, type.....	Ford hydraulic power brakes
Brakes, front & rear.....	Ford E-450 disc, dual-piston, 13.58" dia.
Suspension, front.....	Ford E-450 heavy-duty coil spring
Suspension, rear.....	Dual-airspring air-ride
Engine, gasoline.....	7.3 liter V-8
Fuel capacity.....	.22 gal. (83.3 liters)
Transmission.....	TorqShift®, 6-speed automatic
Seats.....	Molded fiberglass, 74 in. (1.88 m) wide
Air conditioning (cab only).....	R134A

TRAILING UNIT

Tires.....	ST 225/75 R15, load range D
Rims.....	Steel, 6-hole, 15" x 6"
Axles.....	Chance Rides tubular steering, 5,000 lbs. (2,268 kg)
Brakes.....	Air-over-hydraulic drum, manual-adjusting 12" x 2.5"
Suspension.....	Air-ride, two airsprings per axle
Steering.....	Four-wheel steering

GRADEABILITY VS. ROAD SPEED***

11° grade at 4 mph for a fully-loaded tram with two trailing units at sea level

* Passenger capacity is calculated providing 18.5 inches per adult passenger. Overall width of all transverse seats in 74 inches.

** Turning radius may vary. Specific applications should be reviewed with Chance Rides prior to placing vehicles in service.

*** Gradeability shown for standard gasoline power unit with single rear wheels.

Specifications are effective as of publication date. Because we strive to improve every Chance Rides product, these specifications are subject to change without notice. Dimensions are approximate.

