



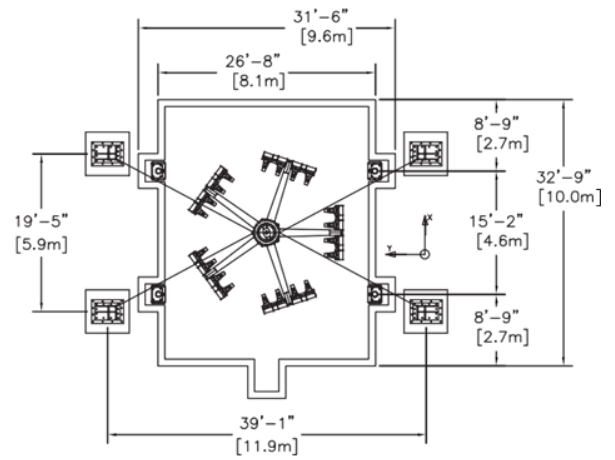
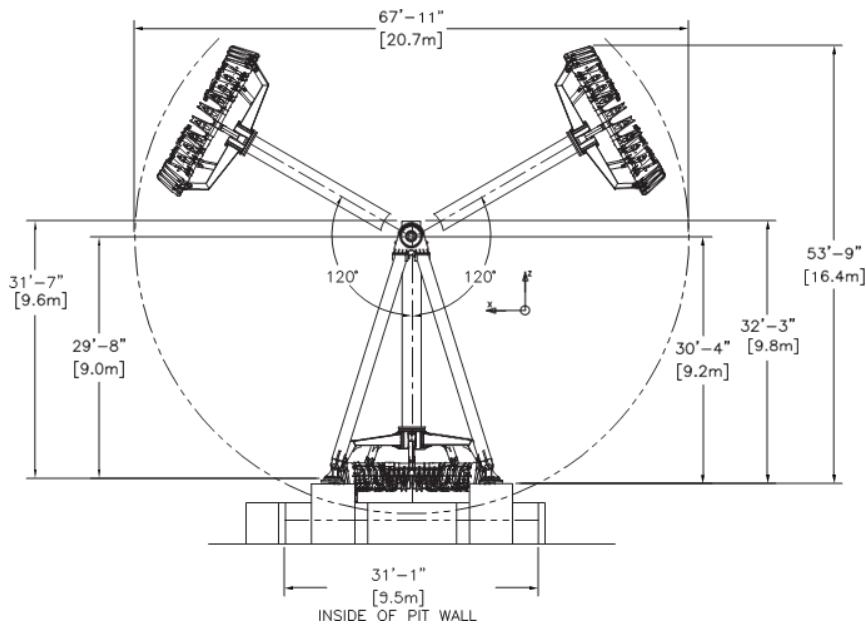
# Revolution 20

The spiraling motion is electrifying as the Revolution's giant arm swings 20 riders 60 feet in the air. With its inward-facing inverted seating, the combination of the swinging arm and rotating passenger vehicle creates the ultimate ride sensation.



316.945.6555 | [sales@chancerides.com](mailto:sales@chancerides.com) | [chancerides.com](http://chancerides.com)

# Revolution 20



## FEATURES

### STANDARD FEATURES

- 20 simultaneously loading seats
- Secure over-the-shoulder restraint system

### OPTIONAL FEATURES

- Energy saving LED light bulbs
- Custom theming

## SPECIFICATIONS

### SEATING

Number of seats.....	20
Maximum number of passengers per seat.....	1
Average passenger weight.....	170 lbs.
Maximum total passenger weight.....	3,400 lbs.
Minimum passenger height.....	48 in.
Loading.....	all passengers simultaneously

### PERFORMANCE

Direction of travel .....	clockwise
Ride speed .....	9 rpm
Ride duration .....	2 min.
Maximum wind speed (operating).....	35 mph
Maximum wind speed (static).....	80 mph

### MAXIMUM RIDE WEIGHT

Empty.....	33,000 lbs.
------------	-------------

### CLEARANCE DIMENSIONS

Frontage width (ground).....	49 ft.
Frontage width (air).....	68 ft.
Height (loading).....	38 ft.
Height (operating).....	61 ft.

### POWER REQUIREMENTS\*

Total.....	115 kW
Drive.....	65 kW
Lights.....	50 kW
Min./Max. voltage.....	460/480 volt, 3 phase, 60 Hz

### DRIVE\*

Type.....	AC
Motor type.....	230/460 volt, 3 phase, 60 Hz
Number of motors.....	7
Horsepower rating.....	2 @ 30hp, 1 @ 10hp, 4 @ 5hp

### LIGHTING\*

Type.....	LED
-----------	-----

\* All rides can be electrically wired to operate on other specified voltage.

Specifications are effective as of publication date. Because we strive to improve every Chance Rides product, these specifications are subject to change without notice. Dimensions are approximate. For actual dimensions and installation specifications, please refer to Chance Rides foundation drawings. This ride conforms to all applicable ASTM amusement ride standards in effect on the date of manufacture.

