

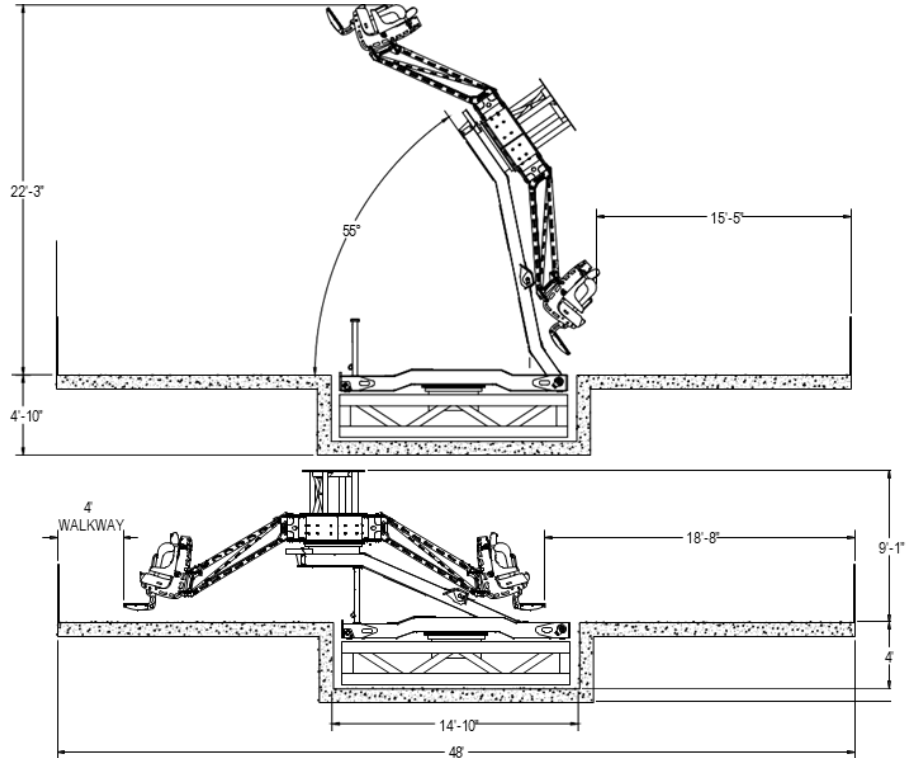
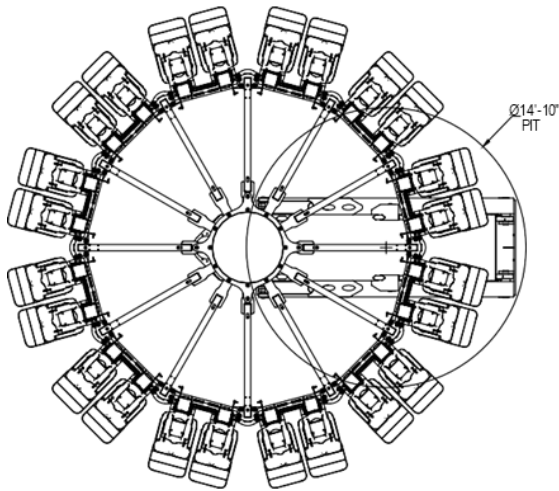


Freestyle™

Riders in the Freestyle's two passenger seats catch air while performing a radical 360. The distinctive spinning and tilting motion of the Freestyle ride can be enjoyed by up to 24 riders.



316.945.6555 | sales@chancerides.com | chancerides.com



FEATURES

STANDARD FEATURES

- Classic spinning, tilting motion appeals to riders of all ages
- Outward-facing seating for up to 24 riders provides easy entry for loading and unloading
- Comfortable, over-the-shoulder restraints
- Pre-programmed, electric variable-speed drive offers a variety of ride experiences.

OPTIONAL FEATURES

- Sound system with digital safety message
- Spectacular programmed LED lighting attract riders

SPECIFICATIONS

SEATING

Number of seats.....	24
Maximum number of passengers per seat.....	1
Maximum total passenger weight.....	4,080 lbs. (1,851 kg)
Minimum passenger height.....	48 in. (122 cm)
Loading.....	all passengers simultaneously
Maximum unbalance.....	6 adults (1,020 lbs. / 463 kg)
Lap bars.....	simultaneous auto-release

PERFORMANCE

Direction of travel (turret).....	clockwise/counterclockwise*
Direction of travel (rim).....	clockwise/counterclockwise*
Ride speed (turret).....	10 rpm
Ride speed (rim).....	22 rpm
Ride duration (long).....	.2 min.
Ride duration (short).....	1.5 min.
Maximum boom angle.....	55° from ground
Maximum wind speed (operating).....	35 mph
Maximum wind speed (static).....	80 mph

MAXIMUM RIDE WEIGHT

Empty.....	45,000 lbs. (20,412 kg)
------------	-------------------------

POWER REQUIREMENTS**

Total.....	60 kW
Drive.....	50 kW
Lights.....	5 kW
Line Voltage.....	480 volt, 3 phase Wye

Specifications are effective as of publication date. Because we strive to improve every Chance Rides product, these specifications are subject to change without notice. Dimensions are approximate. For actual dimensions and installation specifications, please refer to Chance Rides foundation drawings. This ride conforms to all applicable ASTM amusement ride standards in effect on the date of manufacture.

DRIVE**

Rotational

Type.....	variable speed electric
Motor type.....	480 volt, 3 phase, 60 Hz
Number of motors.....	2
Horsepower rating.....	40

Lifting

Type.....	electro-hydraulic
Motor type.....	480 volt, 3 phase, 60 Hz
Number of motors.....	1
Horsepower rating.....	25

LIGHTING**

Type.....	LED
-----------	-----

*Never operate turret and rim in the same direction

** Other voltage requirements will require a transformer

