



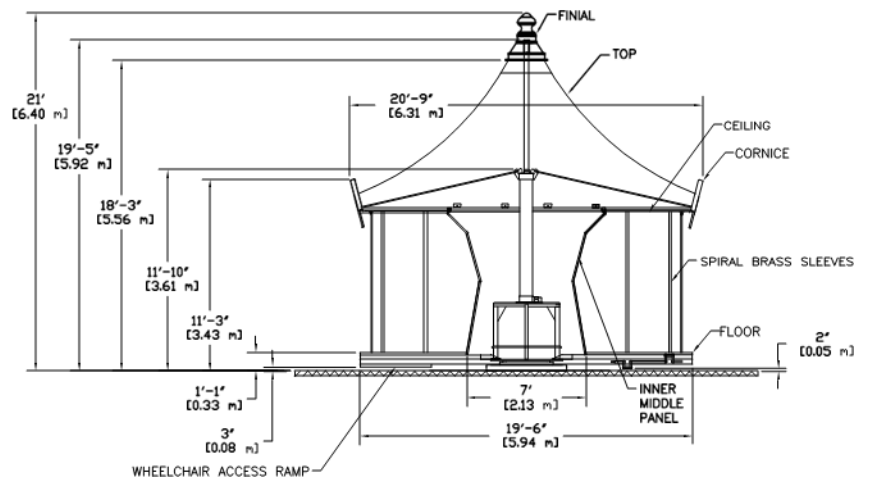
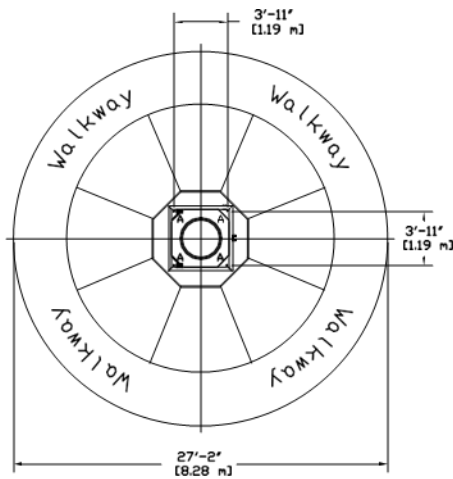
20-ft. Carousel

This enchanting carousel is truly a magical centerpiece, inviting children and adults alike into its whirl of fantasy and delight. The 20-foot carousel is ideal for venues with limited space.



316.945.6555 | sales@chancerides.com | chancerides.com

20-ft. Carousel



FEATURES

STANDARD FEATURES

- 14 Fantasy horses, 1 Fantasy GWD chariot
- Fantasy scenery
- Ribbon or Pie top
- Color coordinating non-slip or aluminum tread plate floors
- Spiral brass sleeves on horse poles and floor hanger rods
- Warm white LED lighting
- Maintenance-free, greaseless Nylatron® bearings
- Electric, variable-speed drive
- Operator pedestal
- Online factory diagnostics package

OPTIONAL FEATURES

- 16 Carousel figures with no chariot
- Hand-crafted Bradley & Kaye horses, Wildlife, Sea Life and Farm Life figures by Chance Rides
- Simulated wood floors
- Vintage lighted Fantasy ceiling
- Lighted ribbon top
- Lighted finial
- Wheelchair accessible chariot
- Sidewalls
- Custom theming and figures

SPECIFICATIONS

SEATING

| |
|--|
| Number of seats.....standard 14 horses (2 abreast) and 1 GWD chariot |
| Maximum number of passengers per seat: |
| Horses.....1 adult or 1 child |
| GWD Chariot.....2 adults or 3 children or 1 wheelchair |
| Average passenger weight per seat: |
| Horses.....170 lbs. (77 kg) |
| GWD Chariot.....340 lbs. (154 kg) |
| Maximum total number of passengers*.....16 adults and 14 children |
| Maximum total passenger weight.....3,980 lbs. (1,805 kg) |
| Minimum passenger height.....42 in. (107 cm) (unaccompanied by adult) |
| Loading.....all passengers simultaneously |
| Maximum unbalance.....4 adults (680 lbs./308 kg) |

PERFORMANCE

| |
|---|
| Direction of travel.....counterclockwise |
| Max. Ride speed.....6.5 rpm |
| Ride duration (maximum).....2.5 min. |
| Ride duration (recommended).....2 min. |
| Maximum wind speed (operating).....35 mph |
| Maximum wind speed (static).....60 mph |

MAXIMUM RIDE WEIGHT (EMPTY)

| |
|---|
| With aluminum floors.....15,600 lbs. (7,076 kg) |
| Drive.....variable speed electric |

POWER REQUIREMENTS**

| |
|---|
| Drive.....5.5 kW |
| Lights.....2.0 kW |
| Control Circuit.....2.5 kW |
| Total.....10.0 kW |
| Min./Max. voltage.....208/230 volt, 3 phase, 60Hz |

DRIVE**

| |
|----------------------------------|
| Type.....variable speed electric |
| Number of motors.....1 |
| Horsepower Rating......5 |

LIGHTING**

| |
|---------------------|
| Type.....LED lights |
|---------------------|

* Maximum total number of passengers assumes one rider accompanied by one standing adult per horse plus the maximum per chariot.

** All rides can be electrically wired to operate on other specified voltage. The final contract is used to calculate the required amount of power.

Specifications are effective as of publication date. Because we strive to improve every Chance Rides product, these specifications are subject to change without notice. Dimensions are approximate. For actual dimensions and installation specifications, please refer to Chance Rides foundation drawings. This ride conforms to all applicable ASTM amusement ride standards in effect on the date of manufacture.

