



36-ft. Carousel

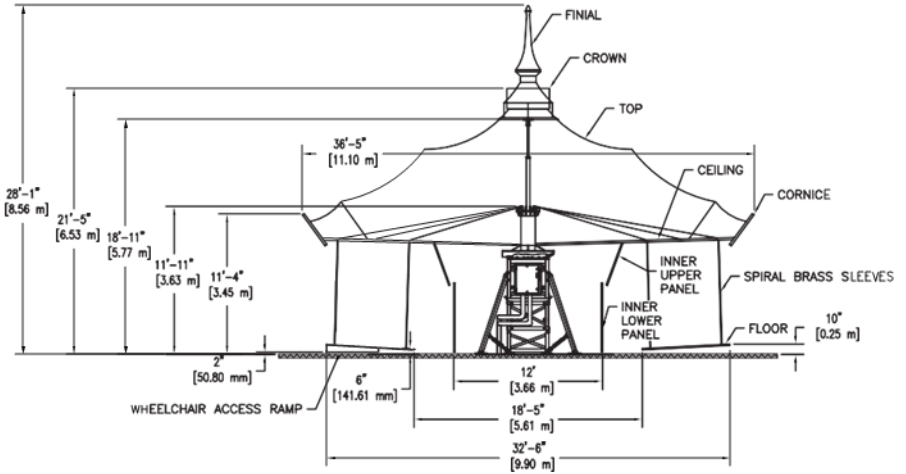
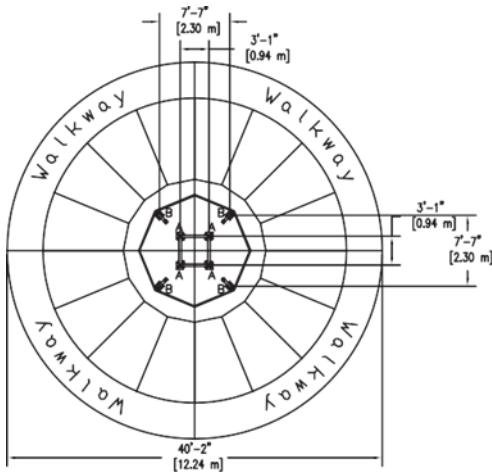
The Chance Rides 36-foot carousel is an instant classic for amusement parks, zoos, malls, museums and municipal attractions. It's available with four scenery packages and a rich variety of optional features.



316.945.6555 | sales@chancerides.com | chancerides.com



36-ft. Carousel



FEATURES

STANDARD FEATURES

- 30 Fantasy horses, 1 standard and 1 GWD Columbia or Goddess of Cherubs chariots
- Americana, Dentzel or Endangered Species scenery
- Ribbon or Pie top
- Color coordinating non-slip or aluminum tread plate floors
- Spiral brass sleeves on horse poles and floor hanger rods
- Warm white LED lighting
- Maintenance-free, greaseless Nylatron® bearings
- Electric, variable-speed drive
- Operator pedestal
- Online factory diagnostics package

OPTIONAL FEATURES

- 36 Carousel figures with no chariot or 33 carousel figures with 1 chariot
- Hand-crafted Bradley & Kaye horses, Wildlife, Sea Life and Farm Life figures by Chance Rides
- Spinning Tub, Birds Nest Spinning Tub or Swan Chariot
- Wheelchair accessible chariot
- Lighted ribbon, Americana or Dentzel festival fabric top
- Lighted finial or crown
- Victorian themed scenery
- Vintage lighted Americana, Victorian or Dentzel/Endangered Species ceiling
- Solid oak or simulated wood floors
- Sidewalls
- Custom theming and figures

SPECIFICATIONS

SEATING

Number of seats.....	standard 30 horses (3 abreast) and 1 standard and 1 GWD chariots
Maximum number of passengers per seat:	
Horses.....	1 adult or 1 child
Standard Chariot.....	4 adults or 6 children
GWD Chariot.....	2 adults or 3 children or 1 wheelchair
Average passenger weight per seat:	
Horses.....	170 lbs. (77 kg)
Standard Chariot.....	680 lbs. (308 kg)
GWD Chariot.....	340 lbs. (154 kg)
Maximum total number of passengers*.....	36 adults and 30 children
Maximum total passenger weight.....	8,820 lbs. (4,000 kg)
Minimum passenger height.....	42 in. (107 cm)
(unaccompanied by adult)	
Loading.....	all passengers simultaneously
Maximum unbalance.....	9 adults (1,530 lbs./693 kg)

PERFORMANCE

Direction of travel.....	counterclockwise
Max. Ride speed.....	5 rpm
Ride duration (maximum).....	2.5 min.
Ride duration (recommended).....	2 min.
Maximum wind speed (operating).....	35 mph
Maximum wind speed (static).....	90 mph

MAXIMUM RIDE WEIGHT (EMPTY)

With aluminum floors.....	23,800 lbs. (10,795 kg)
Drive.....	variable speed electric

POWER REQUIREMENTS**

Drive.....	4.3 kW
Lights.....	2.0 kW
Control Circuit.....	3.7 kW
Total.....	10.0 kW
Min./Max. voltage.....	208/120V WYE, 3 phase, 60Hz

DRIVE**

Type.....	variable speed electric
Number of motors.....	1
Horsepower Rating.....	5

LIGHTING**

Type.....	LED lights
-----------	------------

* Maximum total number of passengers assumes one rider accompanied by one standing adult per horse plus the maximum per chariot.

** All rides can be electrically wired to operate on other specified voltage. The final contract is used to calculate the required amount of power.

Specifications are effective as of publication date. Because we strive to improve every Chance Rides product, these specifications are subject to change without notice. Dimensions are approximate. For actual dimensions and installation specifications, please refer to Chance Rides foundation drawings. This ride conforms to all applicable ASTM amusement ride standards in effect on the date of manufacture.

