

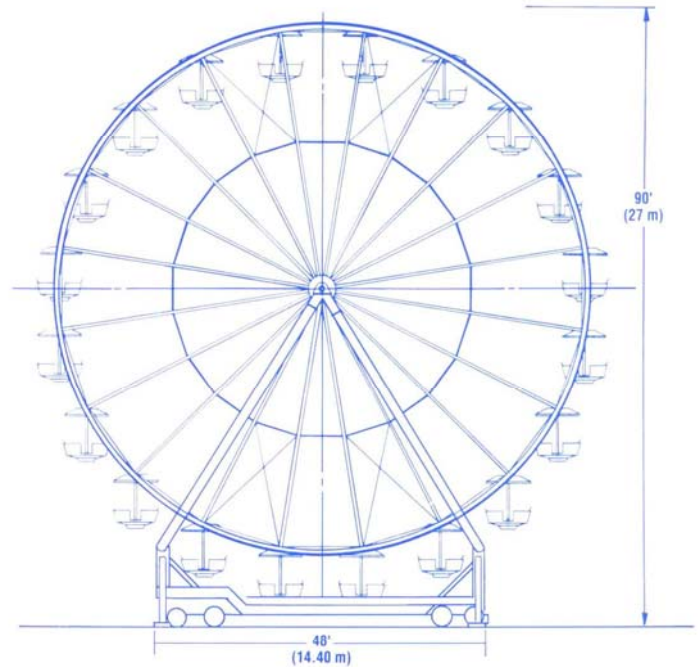
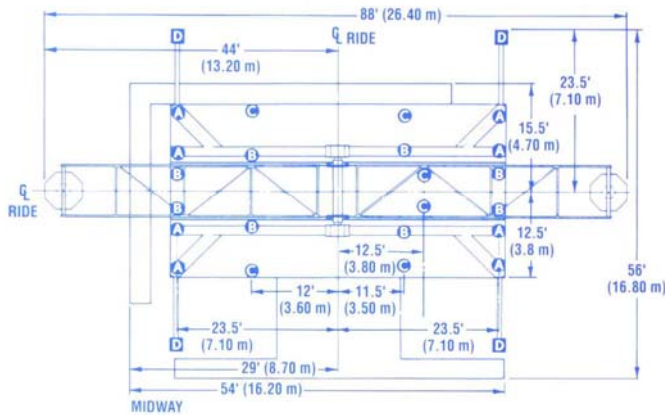
The Giant Wheel
Portable Model



The Giant Wheel

Portable Model

- Full 27-meter height offers spectacular views and maximum visibility to attract riders.
- Features 20 gondolas, capable of carrying six adults or eight children, for a total capacity of 120 to 160 passengers.
- Simultaneous loading of four gondolas at each of the wheel's five stops increases hourly capacity.
- More than 6,000 multicolored incandescent lights and 16 different computerized programs create kaleidoscopic effects for a spectacular light show.
- Deep, high-back gondola seats and automatic closing doors offer a feeling of security for riders of all ages.
- Erects hydraulically in a fraction of the time required for European models.
- Mounted on three 48-ft. trailers and one 45-ft. racked van.



SPECIFICATIONS

This ride conforms to all applicable ASTM amusement ride standards in effect on the date of manufacture.

SEATING

- Number of gondolas.....20
- Maximum number of passengers per gondola6 adults* or 8 children
- Maximum total weight per gondola1,296 lbs. (583 kg)
- Maximum total number of passengers120 adults* or 160 children
- Maximum total passenger weight25,920 lbs. (11,664 kg)
- Minimum passenger height.....42 inches (107 cm) (unaccompanied by adult)
- Loading4 gondolas simultaneously
- Maximum unbalance12 adults* (2,592 lbs./1166 kg)

PERFORMANCE

- Direction of travelclockwise and counterclockwise
- Ride speed2.5 rpm (maximum)
- Maximum wind speed (operating)35 mph
- Maximum wind speed (static)80 mph (Guy wires recommended in high winds.)

- MAXIMUM RIDE WEIGHT (EMPTY)**195,000 lbs. (87,750 kg)
- DRIVE**8 each, 7.5 hp = 60 hp electric
- POWER REQUIREMENTS****
- Total130 kW
- Drive70 kW (variable-frequency)
- Lights60 kW
- Minimum/maximum line voltage208/230 volt wye, 3 phase, 60 Hz
- LIGHTING****
- Type110 volt programmed cabochon
- STANDARD LEAD-IN CABLE**
- Size(2) 3/0 gauge
- Length150 ft. (45 m)

ERECTION

Towers lift into position with trailer-mounted hydraulic cylinders. All sweeps are raised into place with tower legs.

* A maximum load can be derived from random individual passenger weights, but must not exceed the specifications given.

** All rides can be electrically wired to operate on other specified voltage/Hz.

*** Specifications are for customer-furnished van. Trailer is custom racked by Chance.

Specifications are effective as of publication date. Because we try to improve every Chance product, these specifications are subject to change without notice.

Dimensions given are approximate. For actual dimensions and installation specifications, refer to Chance Rides foundation drawings.

TRAILERING (Meets FMVSS and DOT standards)***

Suspensionair ride

	FRONT TRAILER	CENTER TRAILER	REAR TRAILER	VAN*** TRAILER
HEIGHT	13 ft., 6 in. (4.1 m)	13 ft., 6 in. (4.1 m)	13 ft., 6 in. (4.1 m)	13 ft., 6 in. (4.1 m)
WIDTH	8 ft., 6 in. (2.6 m)	8 ft., 6 in. (2.6 m)	8 ft., 6 in. (2.6 m)	8 ft. (2.4 m)
LENGTH	48 ft. (14.4 m)	48 ft. (14.4 m)	48 ft. (14.4 m)	45 ft. (13.5 m)
TOTAL WEIGHT	59,150 lbs. (26,618 kg)	59,500 lbs. (26,775 kg)	58,900 lbs. (26,505 kg)	31,300 lbs. (14,085 kg)
REAR AXLE WEIGHT	33,400 lbs. (15,030 kg)	34,000 lbs. (15,300 kg)	32,500 lbs. (14,625 kg)	19,300 lbs. (8,685 kg)
KINGPIN WEIGHT	25,750 lbs. (11,588 kg)	25,500 lbs. (11,475 kg)	26,400 lbs. (11,880 kg)	12,000 lbs. (5,400 kg)

MAXIMUM INDIVIDUAL GROUND LOADS (POUNDS) REFER TO INSTALLATION DRAWINGS FOR SPECIFIC FOOTING LOCATIONS AND LOADS.

SYMBOL	DESCRIPTION	STATIC NO WIND 120 PASSENGERS	80 MPH WIND NO PASSENGERS
A	TRAILER SCREW JACK	25,000	44,000 Vertical 8,000 Horizontal
B	TRAILER SCREW JACK	9,000	24,000 Vertical 6,000 Horizontal
C	TRAILER SCREW JACK	5,000	6,000 Vertical 2,000 Horizontal
D	OUTRIGGER	5,000	27,000 Vertical 16,000 Horizontal



Chance Rides, Inc.
 P.O. Box 12328 • Wichita, KS 67277-2328
 4219 Irving • Wichita, KS 67209
 316-942-7411 • FAX: 316-942-7416
 e-mail: rides@rides.com
 Website: http://www.rides.com
For No. 1 in Customer Service, Call 1-800-CHANCE-1

PRODUCT PHOTO: This portable model Giant Wheel is operated by E.K. Fernandez Shows, Kapolei, Hawaii.

Form No. SS-0070T-0996
 Litho in U.S.A.